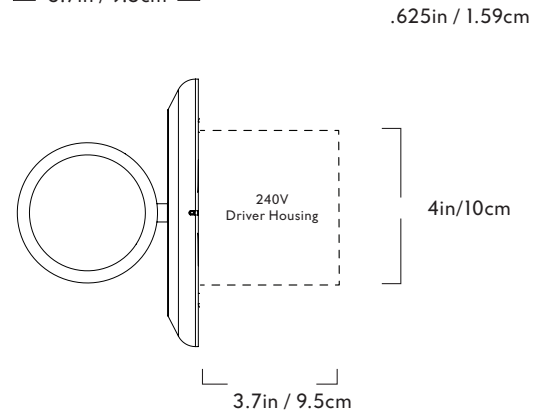
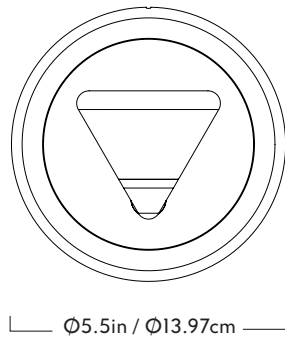
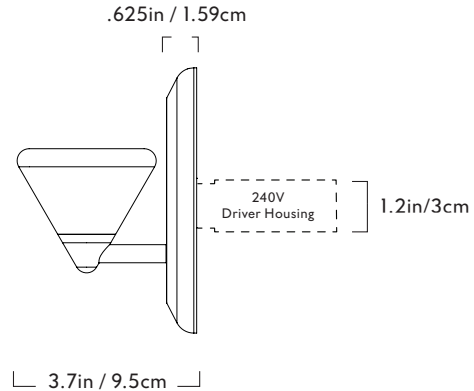
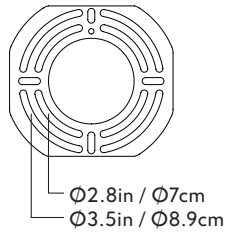


Mounting dimensions



Apollo

Series
Apollo

Product
Sconce

Dimensions
Ø5.5in / Ø13.97cm x D 3.7in / 9.5cm

Weight
0.9lb / 0.4kg

Shipping Dimensions
L 22in / 56cm x W 16in / 41cm x
H 10in / 25cm

Shipping Weight
5lb / 2kg

Materials
Brass, Steel, Glass, White Oak

Sconce

Finishes/Colors
Brushed brass metal / Oxidized oak
base

Driver location
120V: Driver to be installed in the wall
Electrical Box. Driver dimension are L
3.30in / 8.4cm x W 1.57in / 4.0cm x H
0.99in / 2.5cm
240V: Driver in the 240V Driver Hous-
ing. Housing to be installed in the wall.

Fixture Mounting
Designed to be mounted on standard
4 in. Electrical Box.
Two #8-32 screws included.
Additional mounting hardware provided
for 240V versions.

Certifications
UL/cUL (120V)
CE (240V)

120V Illumination
Integrated LED
Wattage: 8 W
Lumens: 500 Lumens est.
Color Temperature: 2700 K, 90+ CRI
LED Lifetime: 50,000 Hours est.
Dimming: Triac, ELV or 0-10V

240V Illumination
Integrated LED
Wattage: 8 W
Lumens: 500 Lumens est.
Color Temperature: 2700 K, 90+ CRI
LED Lifetime: 50,000 Hours est.
Dimming: ELV or 0-10V